

(E10) SINGLE FUNCTION OR MULTIFUNCTION HYDRAULIC PANELS "BHP"



Bamar Hydraulic Panel is a hand pump supplied with gauge, release valve and 4-function selector knob (only for multi-function devices), for easy and quick control.

Function selection is characterized by a "click into place" knob: an important aspect whenever the crew cannot easily see the panel.

The system is provided with a big gauge with clear graphics that allows for an easier and quicker pressure reading.

Moreover, it is supplied with a pressure relief valve to protect the boat's hydraulic plant.

The pump is centred on the lower part of the panel, in order to give a better mechanical advantage and less physical effort.

Titanium lever available on demand.

BHP is available with a single speed pump and offers a double speed auto-shift pump as an option. The latter triples the oil flow at low pressure for a quick take-up and then automatically moves to a slower speed when pressure gets to a preset level.

High flow valves and ports allow panels to be easily interfaced with any hydraulic power pack used for winches and hydraulic furlers. Oil flow supplied by the hydraulic power pack is controlled through the BHP system. Fine tuning at high pressure can be completed with the hand pump.

The single function panel can be later converted into multifunction panel with the 4 function conversion unit.

Function	Speed	Panel	Weight kg	Code
1	1	aluminium small*	3.2	135301001101
1	2	aluminium small*	3.2	135301001102
1	1	aluminium	3.8	135301000101
1	2	aluminium	3.8	135301000102
1	1	stainless steel	4.8	135301000201
1	2	stainless steel	4.8	135301000202
Multi function	1	aluminium	4.9	135304000101
Multi function	2	aluminium	4.9	135304000102
Multi function	1	stainless steel	5.9	135304000201
Multi function	2	stainless steel	5.9	135304000202

1-4 way conversion kit for BHP single function panel 135399000000

1-4 multifunction selector aluminium 135399000200

1-4 multifunction selector stainless steel 135399000100

Racing valve kit 901041000

* Single function BHP systems with small panel cannot be transformed into multi-function systems

BHP hydraulic panel kit includes:

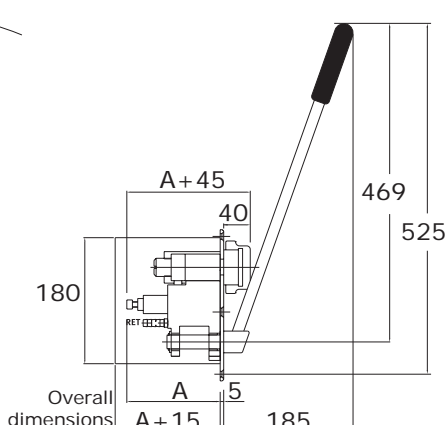
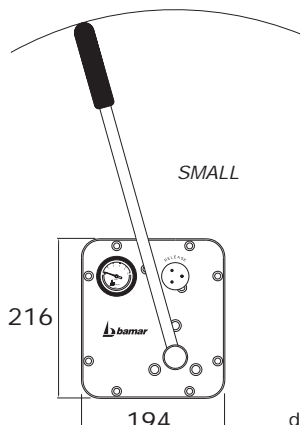
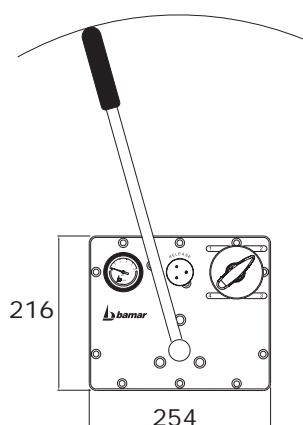
- stainless steel or aluminium panel
- stainless steel lever
- pressure gauge
- 4-way selector (on multifunction models)
- reservoir
- filter
- 4 m low pressure plant hose and clamps

Optional material:

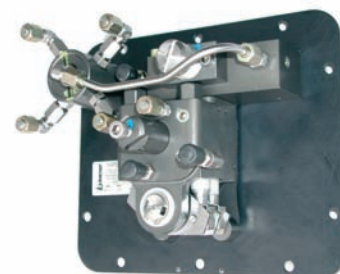
- fittings
- hydraulic hoses

Description

Description	A mm
1-speed 1 function pump	106
1-speed multi-function pump	118
2-speed 1 function pump	135
2-speed multi-function pump	135

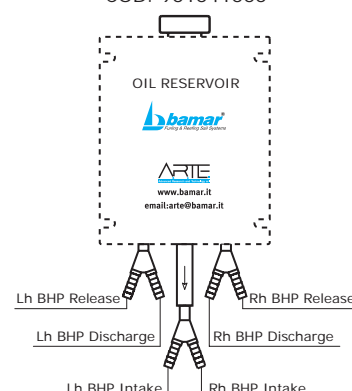


Single function 1 speed



Multi function 2 speed

RACING VALVE KIT
COD. 901041000



(E96) BAMAR HYDRAULIC ACCESSORIES FOR "BHP"

RESERVOIR

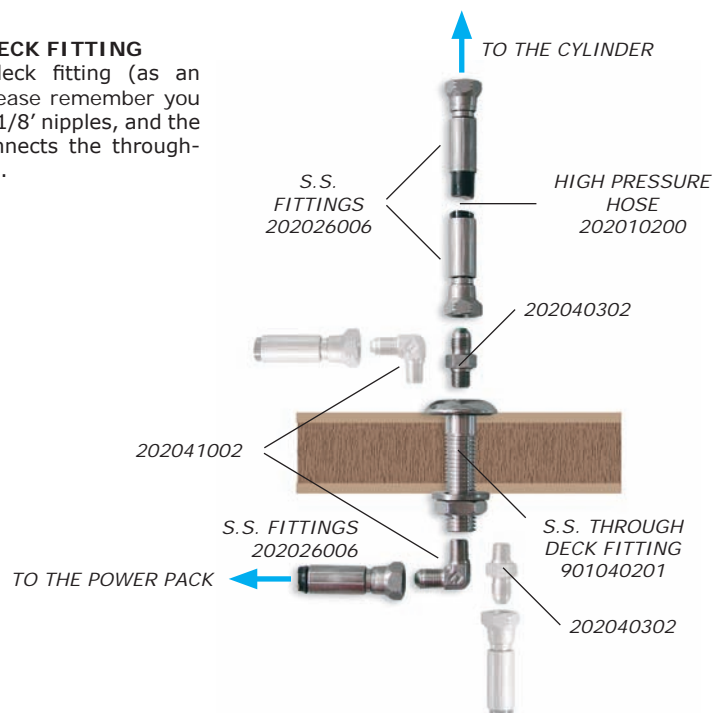
Bamar reservoir allows for the visual control of oil level, because it is made of a semitransparent and waterproof plastic material (polyethylene). For greater capacities more reservoirs may be connected to one another.



Volume dm3	External width mm	External height mm	External thickness mm
3.5	182	275	115

STAINLESS STEEL THROUGH DECK FITTING

When you order this through-deck fitting (as an alternative to the plastic one), please remember you also need to buy straight or elbow 1/8" nipples, and the hose with swage fittings that connects the through-deck fitting to the desired function.



HYDRAULIC HOSES

The use of stainless steel tubes is quite common, but flexible hoses are perfect for most installations. Bamar flexible hoses are easier to install. Moreover, with a correct installation they will perform faultlessly for many years.

Warning: avoid sharp objects and fastenings and make sure the hoses do not curl too much.

Applications: these hoses have been created for high-pressure pneumatic and hydraulic use.

Working pressure: -40° +93°.

Internal diameter mm	External diameter mm	Working pressure bar	Burst pressure bar	Min. bending radius mm
6.35	12.3	350	1,400	50

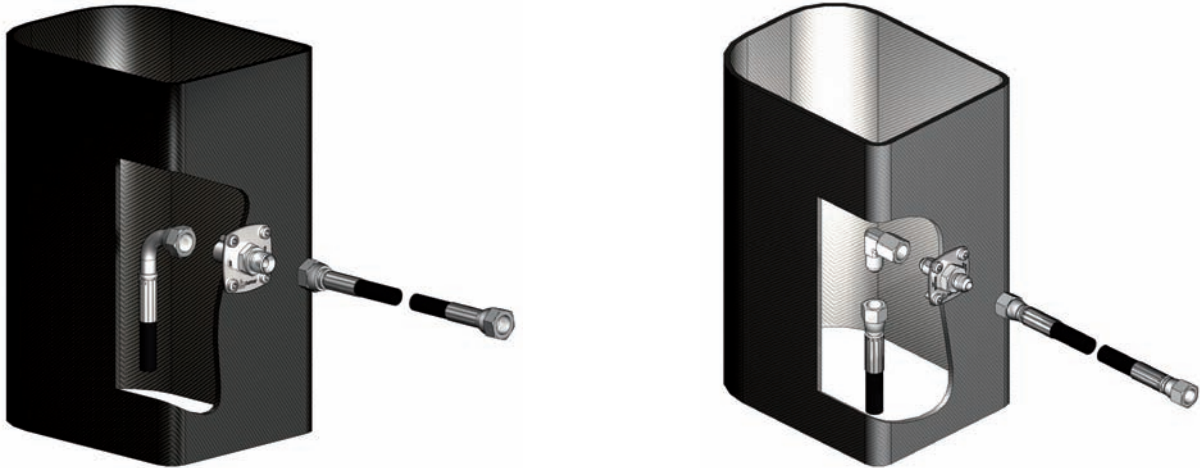


To complete the BHP panel supply, we offer hoses and fittings for the hydraulic plant.
In the following table you will find the codes to place the order:

Product	Code	
ø 40 pressure gauge for BHP, 345 BAR, 5KPSI with bush	135901000104	
ø 50 pressure gauge for BHP, 345 BAR, 5KPSI with bush	135901000105	
Hose R1 DN10 10 BAR max	202010100	
Hose SAE100 R8 1/4 marine grade B.P. 1400 BAR W.P. 350 black	202010200	
S.s. swage fitting F.7/16 Jic straight	202026006	
S.s. nipples M.JIC37 - M.JIC37	202030106	
S.s. reduction F. 1/8 NPT - M.JIC37	202040202	
S.s. nipples M.JIC37 - M. 1/8" NPT	202040302	
S.s. nipples M.JIC37 - M. 1/4" NPT	202040303	
S.s. nipples M. 1/8 NPT - M 1/8" NPT	202090102	
S.s. elbow M.JIC37 - M.JIC37	202031006	
S.s. elbow F.JIC37 - M.JIC37	202031106	
S.s. elbow M.JIC37 - M. 1/8" NPT	202041002	
S.s. elbow M.JIC37 - F. 1/8" NPT	202041202	
S.s. T M.JIC37 - M.JIC37 - M.JIC37	202032006	
S.s. T M.JIC37 - M.JIC37 - M1/8" NPT	202042202	
S.s. cap M.JIC37	202033006	
S.s. cap F.JIC37	202113106	
S.s. quick release fitting 1/4" (M+F) PAIR	202135003	
Oil filter 53UM net - ø8 mm	202650100	
3.5lt reservoir + 3 holes Ø 1/4"	202660100	
Black plastic through-deck gland for hose 520n-4/R8 1/4"	901040101	
S.s. throughdeck fitting R8 1/4" - F 1/8 NPT - F 1/8 NPT	901040201	
S.s. lever for BHP panel	901500100	
Lever holder for BHP panel	901500200	

(E98) FAIRLEADS WITH FLANGE

Line of fairleads complete with s.s. flange designed in order to reduce the dimensions of holes to be done on mast and/or boom walls when connecting hydraulic hoses.



Fairlead data		Flange mm	Code
7/16"	20 JIC 37	43x43	90101929
1/4"G	CIL	46x46	90101930
9/16"	18 JIC 37	46x46	90101931
3/8"G	CIL	52x52	90101932
1/2"G	CIL	56x56	90101933

(E99) VARIOUS ACCESSORIES FOR "BHP"

Product	Code
Hexagonal brass cap 1/8" NPT (for BHP)	202503202
Hexagonal brass cap 1/4" NPT (for reservoir)	202503203
Brass elbow M. 1/8" - F. 1/8" (for BHP)	202531502
Brass tube socket Ø 10 mm thread 1/8" (for BHP)	202534102
Brass tube socket Ø 10 mm thread 1/4" (for reservoir)	202534103
Oil for BHP SHELL TELLUS 32	202800132

